

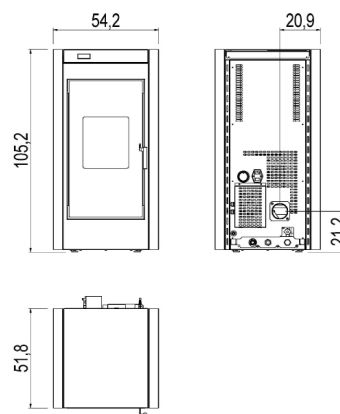
STOVE STRUCTURE CODE 7014023 (BAFA)
EAN 8033123615013

STEEL

WHITE
6914003
EAN 8033123614788

SILVER
6914004
EAN 8033123614795

RED
6914002
EAN 8033123614771



EXTRA



Connection to the heating system



Overheating protection



Cast iron burning pot



Water temperature sensor



Connection to the external thermostat



Hydraulic kit included



Handgrip against burn



Air temperature sensor



Daily weekly programming

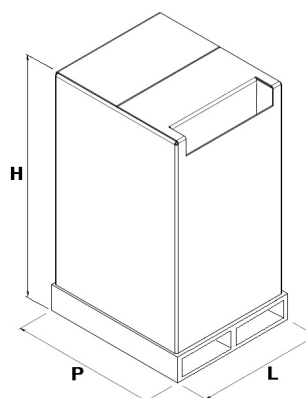


Back exhaust

TECHNICAL DATAS

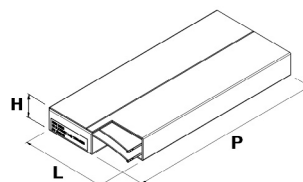
Nominal power	kW	11,6
Reduced power	kW	3,6
Nominal water useful power	kW	10
Reduced water useful power	kW	2,5
Nominal efficiency	%	91,5
Reduced efficiency	%	96
Heating volume (min-max)	m ³	86 - 278
Nominal CO at 13% O ₂	%	0,011
Reduced CO at 13% O ₂	%	0,034
Nominal dust content at 13% O ₂	mg/Nm ³	11
Boiler capacity (H ₂ O)	l	14
Hopper capacity	kg	24
Combustible		Pellet ø6
Hourly consumption (min-max)	kg/h	0,80 - 2,50
Autonomy (min-max)	h	36,0 - 10,0
Ignition electrical absorption (max)	W	420
Operating electrical absorption (max)	W	120
Supply and frequency	V - Hz	230 - 50
Chimney flue depression	Pa	10
Exhaust diameter	mm	80
Combustion air inlet diameter	mm	50
Mass of smoke (min-max)	g/sec	3,6 - 11,0
Exhaust fumes temperature (max)	°C	140
Net weight	kg	144
Gross weight	kg	154

PACKAGING AND STOCKING



L (cm)	68
H (cm)	133
P (cm)	80

LINING PACKING



LINING	L (cm)	H (cm)	P (cm)
Steel	54,5	12,5	107,5



EN 14785:2006



BlmSchV 2015



Regensburg



Bundesamt für Wirtschaft und Ausfuhrkontrolle (BAFA)

München

Stuttgart

Aachen